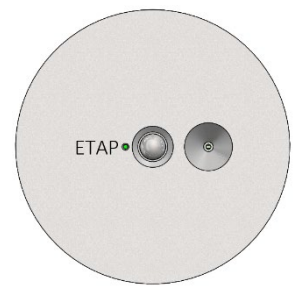




# ETAP Easydim2 Components



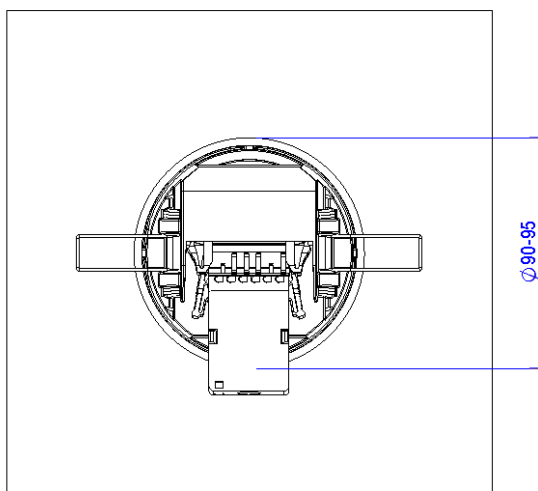
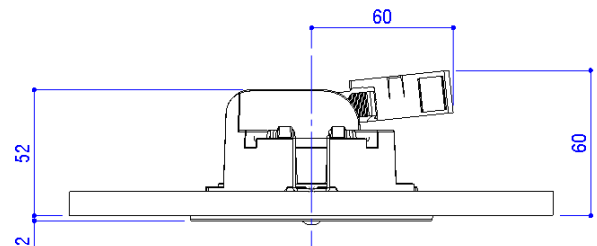
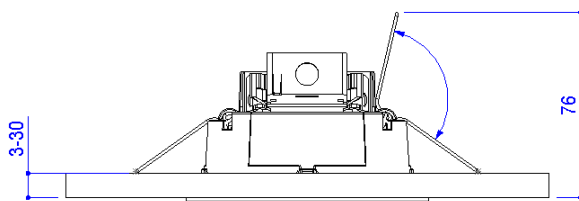
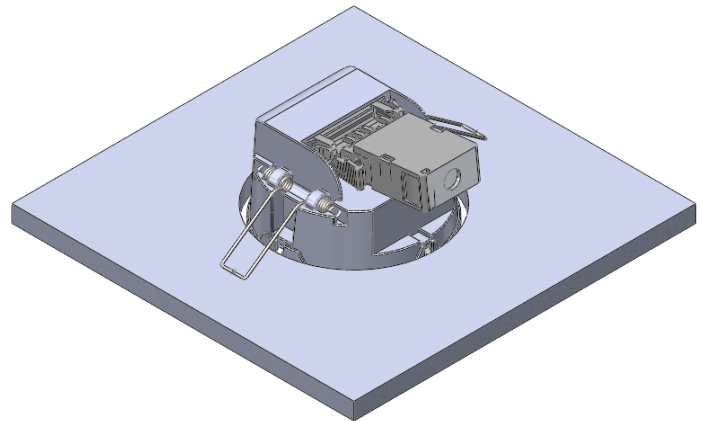
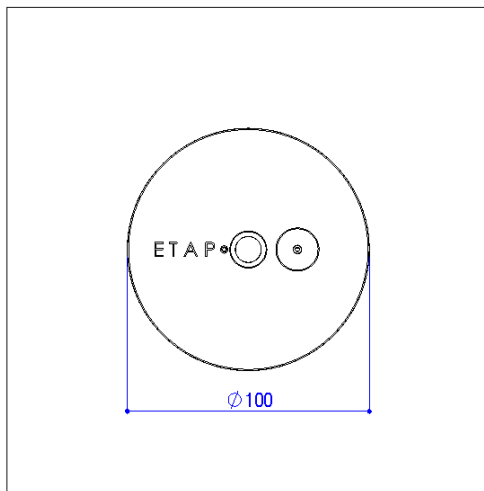
ENGLISH

## Mounting and Wiring Instructions

### Controller & Box Recessed C1C20/01-200

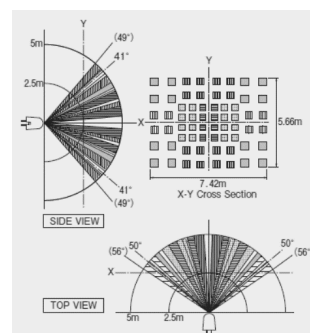
#### Mechanical – controller part

The controller for recessed mounting can be mounted in a cut-out of diameter 90-95mm. The ceiling thickness can vary from 3-30mm. For thin metal or other soft ceilings, a sturdy plate (e.g. wood) or the like has to be added to prevent the springs from damaging the ceiling. The free height above the ceiling needs to be minimum 60mm (measured from the bottom of the ceiling plate) to allow room for the connector.





The movement detection area is rectangular with the widest view aligned with the springs and the axis along the ETAP logo and sensor openings. The sensor should be mounted in an area with much daylight (if present) and since it is the Bluetooth connection point also near the area where it is most likely someone will be sited to control the lights via the smartphone App.

For expansion sensors and related accessories please consult [www.etaplighting.com](http://www.etaplighting.com)



The movement detection area for small movements at a mounting height of 2.8m is about 4x6m, for large movements it is about 6x8m. Max. height for small movement detection is 3,5m.

## Technical data Controller

Operating voltage	230V AC 50Hz
Isolation of wires	All wiring needs to be isolated for mains voltage since DALI is NOT SELV!
Current supply to DALI line	See <a href="#">manual</a> on the website section 'System Limits'
Controller Housing Material	ASA 
Wiring schemes	See <a href="#">manual</a> on the website section 'Applications'
Working temperature	0 °C ... +50 °C (for reliable PIR movement detection, the temperature difference between moving objects and background should be at least 5°C)
Wire diameter and termination	<p>A counter plug is supplied that accepts the following wire types:</p> <p>Solid conductor : 0.08 ... 2.5 mm<sup>2</sup> / 28 ... 12 AWG          Fine-stranded conductor : 0.08 ... 2.5 mm<sup>2</sup> / 28 ... 12 AWG          Fine-stranded conductor              with ferrule with plastic collar : 0.25 ... 1.5 mm<sup>2</sup>          Fine-stranded conductor              with ferrule without plastic collar : 0.25 ... 2.5 mm<sup>2</sup></p> <p> 8 -9 mm</p> <p>For Easydim2 it is advised to use 1.5mm<sup>2</sup></p> <p>Connector material: PA 66 Grey, CrNi clamping spring, Electrolytic copper Ecu contacts tin plated</p>
Default operation	At startup, the operation mode needs to be set by the App.
Dimensions (D x H)	Diam. 100x52mm (excl. counter plug). See dimensional sketch above for details.

### Connections:

The connections on the controller are marked as follows:

3 = DALI LINE 3

2 = DALI LINE 2

1 = DALI LINE 1

C = DALI LINE COMMON FOR LINES 1, 2 and 3

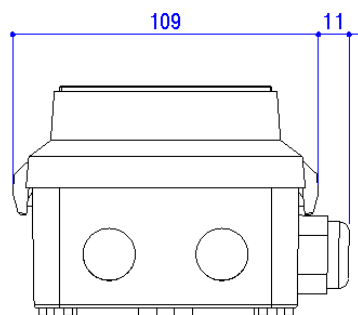
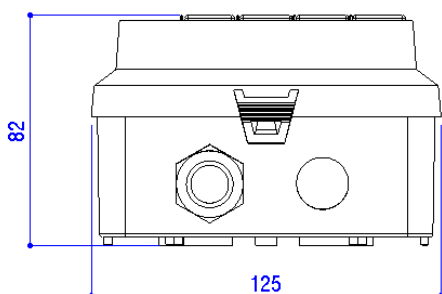
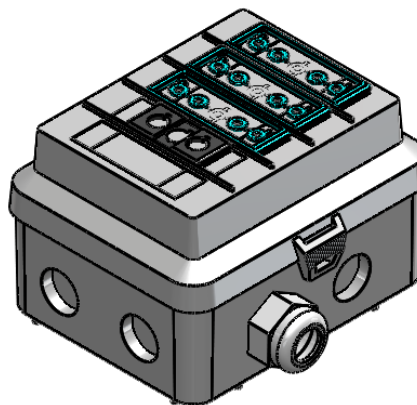
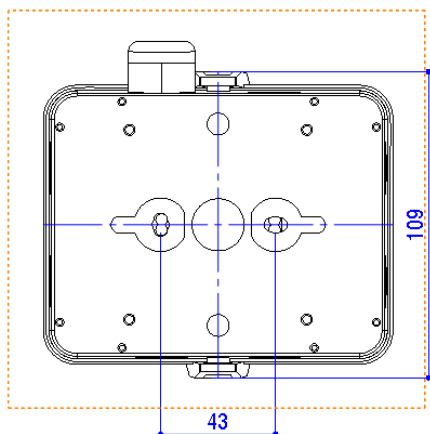
N, L = MAINS 230V AC 50Hz

3 2 1 C N L

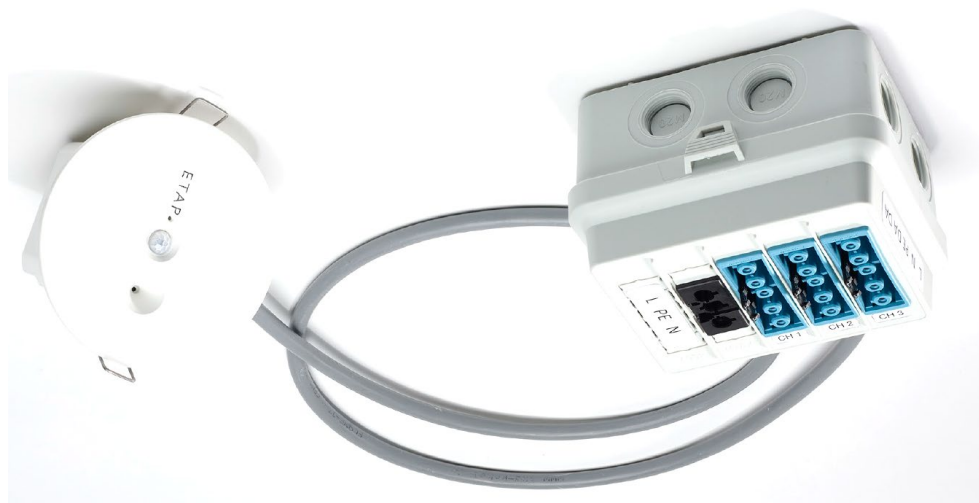
The connections to the counter plug are prewired to the Wieland connection box (see further).

## Mechanical


See above for the controller part. The Box has the following dimensions:



The prewired cable on the connection box has a length of approximately 2m.



## Technical data C1C20/01-200

Operating voltage	230V AC 50Hz
Isolation of wires	All wiring needs to be isolated for mains voltage since DALI is NOT SELV!
Current supply to DALI line	See <a href="#">manual</a> on the website section 'System Limits'
Wiring schemes	See <a href="#">manual</a> on the website section 'Applications'
Box material	PP 

Working temperature	0 °C ... +50 °C (for reliable PIR movement detection, the temperature difference between moving objects and background should be at least 5°C)
Wiring	<p>The connection lead to the controller is prewired (Cable type LIHH). Connection of the MAINS input and the MAINS+DALI outputs via Wieland GST18 connections. On the box, the MAINS input connector is MALE (plug) and the MAINS+DALI output connectors are FEMALE (socket). For wiring accessories please consult <a href="http://www.etaplighting.com">www.etaplighting.com</a> or your local Wieland distributor.</p> <p>All leads used must have a minimum wire cross section of 1,5mm<sup>2</sup> or more depending on your local regulations.</p>
Default operation	At startup, the operation mode needs to be set by the App.
Dimensions (L x W x H)	<p>Controller: Diam. 100x52mm (excl. counter plug).</p> <p>Box: 125x120x82mm.</p> <p>See dimensional sketches above for details.</p>



Conformity with applicable EU directives is confirmed by the CE symbol.  
Specifications subject to change without notice

ETAP NV – Antwerpsesteenweg 130 - 2390 Malle - Belgium  
Tel. +32 (0)3 310 02 11 – [info.be@etaplighting.com](mailto:info.be@etaplighting.com)  
[www.etaplighting.com](http://www.etaplighting.com)

V1.0 13-11-2019